

SFP MODULE SYSTEM PRODUCTS

155Mbps SFP Optical Transceiver, 2-80km Reach



FEATURE

- Up to 155Mbps data-rate
- 1310nm FP laser and PIN photodetector 2-40km transmission
- 1550nm DFB laser and PIN photodetector for 60-80km transmission
- Compliant with SFP MSA and SFF-8472 with duplex LC receptacle
- Digital Diagnostic Monitoring: Internal Calibration or External Calibration
- 2km transmission with 50/125µm MMF
- 1km transmission with 62.5/125µm MMF
- Compatible with RoHS
- +3.3V single power supply
- Operating case temperature range of 0°C to +70°C (Standard) or -40°C to +85°C (Industrial)



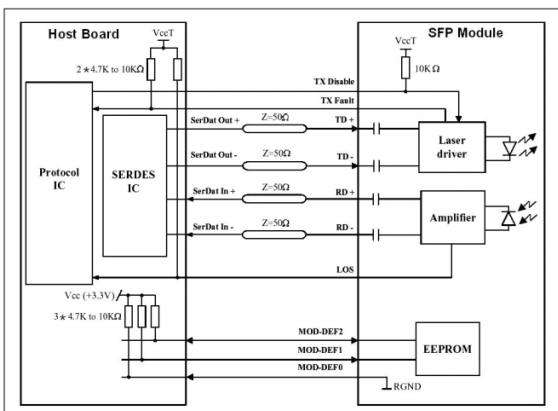
DESCRIPTION

- Class 1 laser product EN 60825-1 standards
- Operating data rate up to 2.67Gbps
- Compliant with SFP MSA and SFF-8472
- Compliant with SDH/SONET
- Duplex LC connector
- Hot pluggable
- 3.3V Single Power Supply

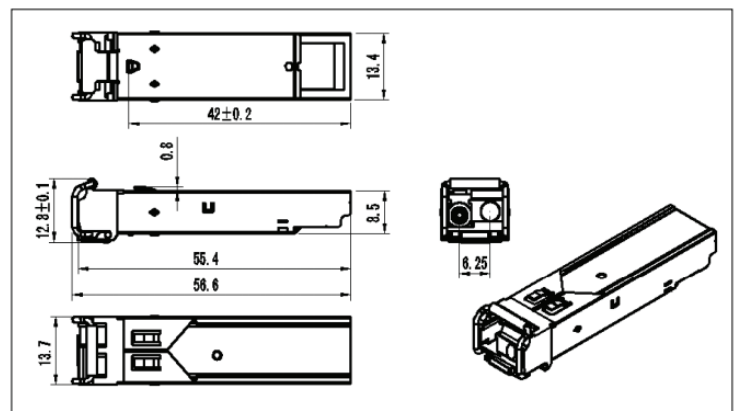
APPLICATIONS

- SDH STM-1, S-1.1, L-1.1, L-1.2
- SONET OC-3 IR1, LR1, LR2
- Router/Server interface
- Other optical transmission systems

RECOMMENDED INTERFACE CIRCUIT



MECHANICAL DIMENSIONS



ABSOLUTE MAXIMUM RATINGS

Parameter	Symbol	Min	Max	Unit
Storage Temperature	Ts	-40	+85	°C
Supply Voltage	Vcc	-0.5	4.5	V
Operating Humidity		5	85	%

RECOMMENDED OPERATING CONDITIONS

Parameter	Symbol	Min	Typical	Max	Unit
Operating Case Temperature	Commercial	Tc	0	+70	°C
	Industrial		-40	+85	°C
Power Supply Voltage	Vcc	3.13	3.3	3.47	V
Power Supply Current	Icc			300	mA
Data Rate			155		Gbps

RECOMMENDED OPERATING CONDITIONS

Feature	Standard	Performance
Electrostatic Discharge (ESD) to the Electrical Pins	MIL-STD-883E Method 3015.7	Class 1 (>500 V) Isolation with the case
Electromagnetic Interference (EMI)	FCC Part 15 Class B	Compatible with standards
Laser Eye Safety	FDA 21CFR 1040.10 and 1040.11	Compatible with Class I laser product.
	EN60950, EN (IEC) 60825-1,2	Compatible with TÜV standards
Component Recognition	UL and CUL	UL file E317337
Green Products	2002/95/EC 2005/618/EC	RoHS6

DESCRIPTION

Model	Rate	Wavelength	Distance	Optical power	Sensitivity
MC-SFP-SX-MM-0102	155M	1310nm	2km	-18~-10dbm	<-32dbm
MC-SFP-LX-SM-0120	155M	1310nm	20km	-15~-8dbm	<-33dbm
MC-SFP-LX-SM-0140	155M	1310nm	40km	-9~-3dBm	<-33dBm
MC-SFP-ZX-SM-0160	155M	1550nm	60km	-5~0dBm	<-34dBm
MC-SFP-ZX-SM-0180	155M	1550nm	80km	0~5dBm	<-34dBm

ORDER INFORMATION

PRODUCT	PART NUMBER
1310nm, 155Mbps, LC, 2km, 0°C~+70°C	MC-SFP-SX-MM-0102
1310nm, 155Mbps, LC, 20km, 0°C~+70°C	MC-SFP-LX-SM-0120
1310nm, 155Mbps, LC, 40km, 0°C~+70°C	MC-SFP-LX-SM-0140
1550nm, 155Mbps, LC, 60km, 0°C~+70°C	MC-SFP-ZX-SM-0160
1550nm, 155Mbps, LC, 80km, 0°C~+70°C	MC-SFP-ZX-SM-0180