

SFP MODULE SYSTEM PRODUCTS

2.5Gbps SFP Bi-Directional Transceiver 20-80km



FEATURE

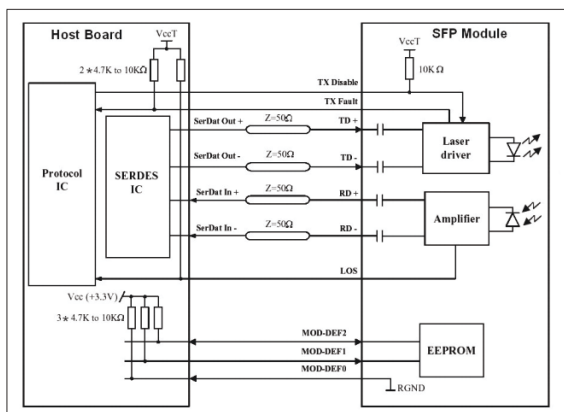
- Up to 2.67Gbps bi-directional data links
- Compliant with SFP MSA and SFF-8472 with simplex LC receptacle
- Digital Diagnostic Monitoring: Internal Calibration or External Calibration
- Compatible with SONET OC-48 system
- Compatible with RoHS
- +3.3V single power supply
- Operating case temperature range of 0°C to +70°C (Commercial) or -40°C to +85°C (Industrial)



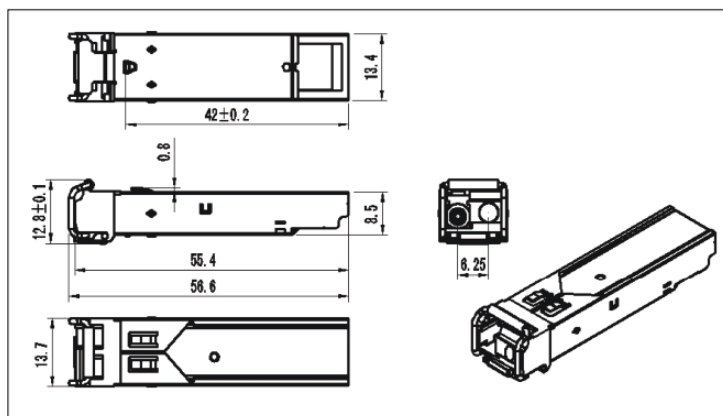
DESCRIPTION

- Class 1 laser product EN 60825-1 standards
- Compliant with SFP MSA and SFF-8472
- Compliant with SDH/SONET
- Single LC or SC connector
- Hot pluggable
- 3.3V Single Power Supply

RECOMMENDED INTERFACE CIRCUIT



MECHANICAL DIMENSIONS



ABSOLUTE MAXIMUM RATINGS

Parameter	Symbol	Min	Max	Unit
Storage Temperature	Ts	-40	+85	°C
Supply Voltage	Vcc	-0.5	4.5	V
Operating Humidity		5	85	%

RECOMMENDED OPERATING CONDITIONS

Parameter		Symbol	Min	Typical	Max	Unit
Operating Case Temperature	Commercial	Tc	0		+70	°C
	Industrial		-40		+85	°C
Power Supply Voltage		Vcc	3.13	3.3	3.47	V
Power Supply Current		Icc			300	mA
Data Rate				2.5		Gbps
Optical Power			Compliant with Eye Mask Defined in IEEE802.3z			

RECOMMENDED OPERATING CONDITIONS

Feature	Standard	Performance
Electrostatic Discharge (ESD) to the Electrical Pins	MIL-STD-883E Method 3015.7	Class 1 (>500 V) Isolation with the case
Electromagnetic Interference(EMI)	FCC Part 15 Class B	Compatible with standards
Laser Eye Safety	FDA 21CFR 1040.10 and 1040.11	Compatible with Class I laser product.
	EN60950, EN (IEC) 60825-1,2	Compatible with TÜV standards
Component Recognition	UL and CUL	UL file E317337
Green Products	2002/95/EC 2005/618/EC	RoHS6

DESCRIPTION

Model	Rate	Wavelength	Distance	Optical power	Sensitivity
MC-SFP-WDM-SM-0320A	2.5G	TX1310nm	20km	-5~0dBm	<-18dBm
MC-SFP-WDM-SM-0320B	2.5G	TX1550nm	20km	-5~0dBm	<-18dBm
MC-SFP-WDM-SM-0340A	2.5G	TX1310nm	40km	-2~3dBm	<-20dBm
MC-SFP-WDM-SM-0340B	2.5G	TX1550nm	40km	-2~3dBm	<-20dBm
MC-SFP-WDM-SM-0380A	2.5G	TX1490nm	80km	0~5dBm	<-28dBm
MC-SFP-WDM-SM-0380B	2.5G	TX1550nm	80km	0~5dBm	<-28dBm

ORDER INFORMATION

PRODUCT	PART NUMBER
Tx1550/Rx1310nm, 2.5Gbps, LC, 20km, 0°C~+70°C	MC-SFP-WDM-SM-0320A
Tx1310/Rx1550nm, 2.5Gbps, LC, 20km, 0°C~+70°C	MC-SFP-WDM-SM-0320B
Tx1310/Rx1550nm, 2.5Gbps, LC, 40km, 0°C~+70°C	MC-SFP-WDM-SM-0340A
Tx1550/Rx1310nm, 2.5Gbps, LC, 40km, 0°C~+70°C	MC-SFP-WDM-SM-0340B
Tx1490/Rx1550nm, 2.5Gbps, LC, 80km, 0°C~+70°C	MC-SFP-WDM-SM-0380A
Tx1550/Rx1490nm, 2.5Gbps, LC, 80km, 0°C~+70°C	MC-SFP-WDM-SM-0380B