

HDMI SWITCH

4K HDMI Switch 4X1, KVM



OVERVIEW

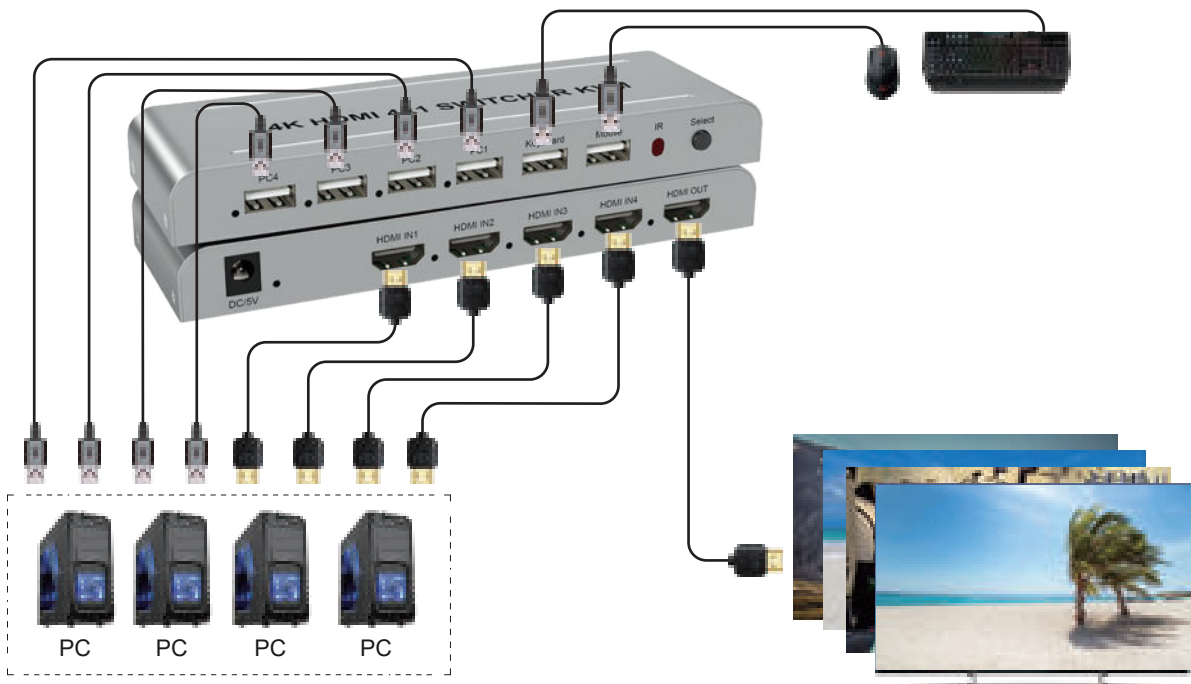
The 4x1 HDMI switch allows 4 PC and HDMI ports to be switched to a single display terminal via remote control, buttons on unit or the keyboard. The HDMI switcher can support all hd formats including 720p, 1080i, 1080p, 4K/30Hz multichannel audio. It can be used in office, meeting room and teaching, etc.



FEATURE

- Support 4 HDMI inputs, 1 HDMI output;
- Support 3D;
- Support highest video resolution 4K/30Hz;
- Support 3.4Gbps data rate for tmds clock up to 340MHz;
- Support 24/30/36 bit deep color;
- Can automatically switch HDMI input port (in 4 ports, the last one is priority);
- Support USB 2.0;
- Support 4 USB host (PC), 2 USB device (mouse/keyboard/U disk);
- Support wireless mouse and keyboard;
- Support Windows, Linux, MAC OS and Android operation system, etc;
- Plug and play, no need to install any driving program;

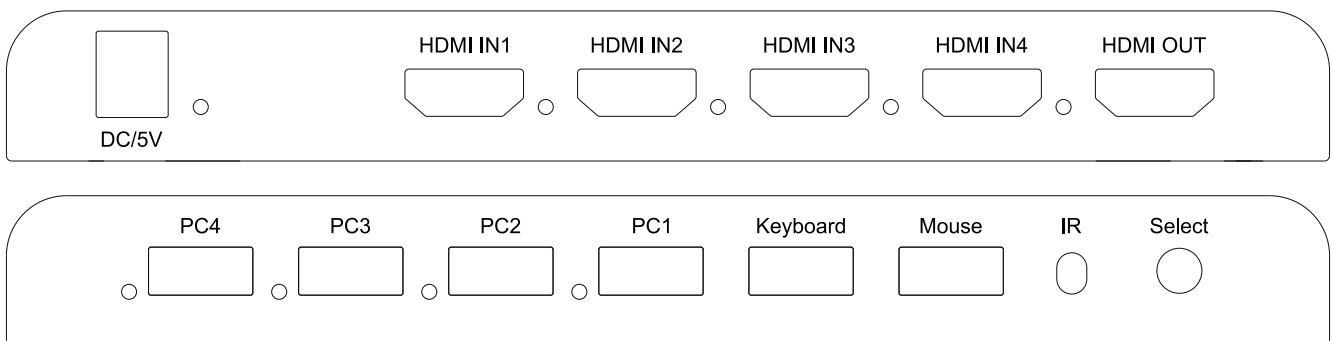
APPLICATIONS



SPECIFICATIONS

USB version	compatible with USB 2.0 Full/Low speed
HDMI resolution	4K/30Hz
USB rate	Low speed(1.5Mb/s); Full speed(12Mb/s); High speed(480Mb/s)
Support video format	3D
Support video color format	24/30/36 bit deep color
Support audio format	DTS-HD/Dolby-trueHD/DTS/Dolby-AC3/DSD
Max bandwidth	340MHz
Max baud rate	3.4x3Gbps
Input cable distance	≤5m AWG26 HDMI standard cable(4K/30HZ);
Output cable distance	≤5m AWG26 HDMI standard cable(4K/30HZ);
USB cable length	Standard USB 2.0 cable ≤ 2m
Max working current	500mA
Operating Temperature range	(-10 to +55°C)
Dimension (L x W x H)	177x58x20 (mm)
Weight	210g

OPERATING AND CONNECTING



1. Connect four cables from HDMI source device into HDMI switch input.
2. Connect one cable from display device into HDMI switch output.
3. Connect PC signal source (such as USB ports on the PC) and 'PC1-PC4' ports on the switcher with 4 USB 2.0 cable .
4. Cable or wireless USB mouse / keyboard connect to the Keyboard and mouse port .
5. Connect 5V/1A power adapter to the HDMI switch .

After the above connection, the indicator next to the 'HDMI IN1' socket is on, the indicator next to the 'PC1' socket is on, indicating the switch has entered the working state. At this point, you can press the 'SELECT' button on the switch or the '1-4' button on the remote control to switch between HDMI IN1-4 and PC1-4 ports. The LED next to it lights up when switched to the corresponding input port. The 'Keyboard/Mouse' port can be inserted into the mouse/keyboard and U disk, but only one set of mouse and keyboard can be inserted;

Note: HDMI input port and PC input port are switched at the same time.

ORDER INFORMATION

PRODUCT	PART NUMBER
4K HDMI Switch 4X1, KVM	MD-4KHDSW-KVM-0401